

8820 Series Panel Mounted Pressure Control Valves

**0.75 U.S. gpm (2,8 L/min) and
1.5 U.S. gpm (5,7 L/min) nominal;
5000 psi (350 bar)**

These direct-spring acting valves can be used for basic safety relief in low-flow applications or for remote control of larger pilot-operated valves in a circuit.

SPECIFICATIONS

Rated Flow

Size 01 for Remote Pressure Control:

Nominal, 0.75 U.S.gpm (2,8 L/min);
Maximum, 1.0 U.S. gpm (3,8 L/min)

Size 02 for Safety Relief:

Nominal, 1.5 U.S. gpm (5,7 L/min);
Maximum, 2.5 U.S. gpm (9,5 L/min)

Rated Pressure

All models, 5000 psi (350 bar)

Pressure Adjustment

Standard Pressure Range:

100 to 3000 psi (7 to 210 bar)

HP Option:

100 to 5000 psi (7 to 350 bar)

LP Option:

50 to 1000 psi (4 to 70 bar)

LLP Option:

40 to 500 psi (3 to 35 bar)

Pressure is manually set by turning the maximum pressure adjustment (standard knurled knob or optional handwheel). Turning clockwise increases pressure. The setting is held by a locknut.

An optional cam operated version is available. Refer to the installation drawing and "Typical Model Code" on reverse side.

PRESSURE DROP (ΔP)

Size	Flow		ΔP ^①	
	U.S. gpm	L/min	psi	bar
01	0.75	2,8	350	24
	1.00	3,8	400	28
02	1.50	5,7	600	41
	2.50	9,5	1100	76

① Crack to full flow at 3000 psi (210 bar).

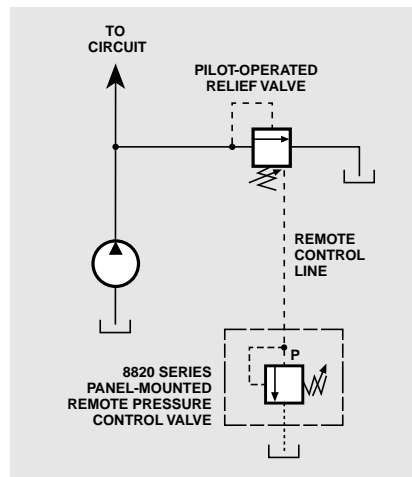


8820 Series
Standard Knurled Knob

REMOTE PRESSURE CONTROL

The 01 Size valve can be used as a remote pressure source to control larger pilot-operated valves.

The pressure setting for the main valve should be adjusted 5% higher than the pressure setting for the 8820 valve, to prevent interaction between the valves.



APPLICATION NOTES

Mounting

Orientation:

Unrestricted for all models.

Standard Seals

Fluorocarbon (Viton® or Fluorel®)

Fluid Recommendations

Viscosity:

50 to 1500 SUS (7 to 325 cSt)

Temperature Range:

-20° to +200° F (-29° to +93° C.)

Filtration

Use filtration to provide fluid which meets ISO cleanliness level 19/17/14 (ISO Code 4406) or cleaner.

Installation And Dimensions

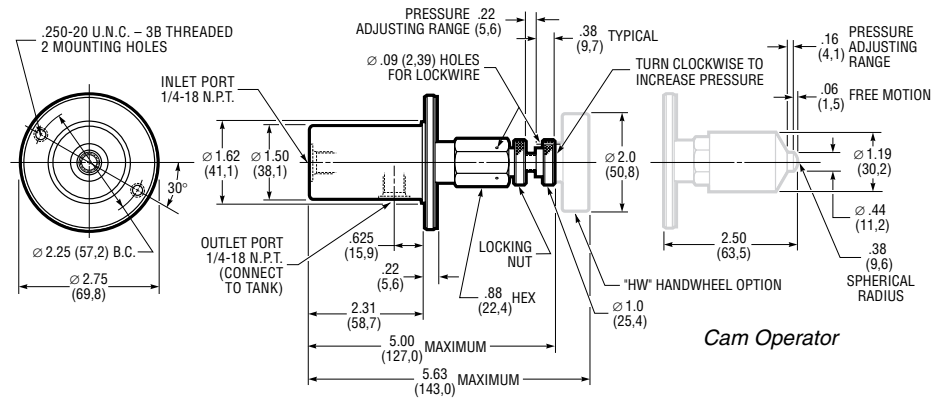
The drawing shows the standard knurled knob pressure adjustment with the "HW" handwheel option printed in gray.

The "CO" cam operator option is also printed in gray.

Dimensions are shown in inches (millimeters in parentheses) and are nominal.

Weight (Mass)

1.2 lb (0,5 kg)



8820 Series Pressure Control

Typical Model Code

88	20	—	01 - .25	—	LP - HW	—	2	1
Valve Type					Options			Modification Number
88 — Pressure Control		Application/Size			No Code — Standard, adjustable 100 psi (7 bar) to 3000 psi (210 bar)			Design Number
		01 — Remote Controller			LP — Adjustable 50 psi (4 bar) to 1000 psi (70 bar)			
		02 — Relief			LLP — Adjustable 40 psi (3 bar) to 500 psi (35 bar)			
					HP — Adjustable 100 psi (7 bar) to 5000 psi (350 bar)			
Actuator					CO — Cam Operator			
20 — Direct Operated (Panel Mounted)					HW — Handwheel			
					CR — Corrosion Resistant Handwheel			

For more information
visit our web site:
www.dynexhydraulics.com

<p>USA Headquarters Dynex/Rivett Inc. 770 Capitol Drive Pewaukee, WI 53072 U.S.A. Tel: 262-691-2222 FAX: 262-691-0312 E-mail: sales@dynexhydraulics.com</p>	<p>Power Units & Systems Dynex/Rivett Inc. 54 Nickerson Road Ashland, MA 01721 U.S.A. Tel: 508-881-5110 FAX: 508-881-6849 E-mail: ashland@dynexhydraulics.com</p>	<p>European Sales Dynex/Rivett Inc. Unit C5 Steel Close, Little End Road, Eaton Socon, Huntingdon, Cambs. PE19 8TT United Kingdom Tel: +44 (0) 1480 213980 FAX: +44 (0) 1480 405662 E-mail: sales@dynexhydraulics.co.uk</p>
--	--	--