

**Features**

- Valve block for pressure relief-, throttle- and shut-off-cartridges

<b>Valve block for in-line mounting</b>	<b>Type VKR700</b>
<b>NG6 up to 700 bar</b>	<b>up to 25 l/min</b>



**Applications**

Easy installation of BV700- screw-in cartridges for in-line mounting.

**Technical data**

Hydraulic fluid	mineral oil according to DIN 51524 (other fluids on request)
Viscosity range	5 to 400 mm <sup>2</sup> /s
Porting	G 3/8"
Operating pressure max.	700 bar
Flow rate max.	25 l/min
Filtration	according to NAS 1638, class 6 or ISO/DIN 4406 17/15/12
Weight (without cartridge)	0,6 kg
Material	steel: galvanized, black chromated

Valve block for in-line mounting	Type VKR700
NG6 up to 700 bar	up to 25 l/min

**Pressure relief valves**

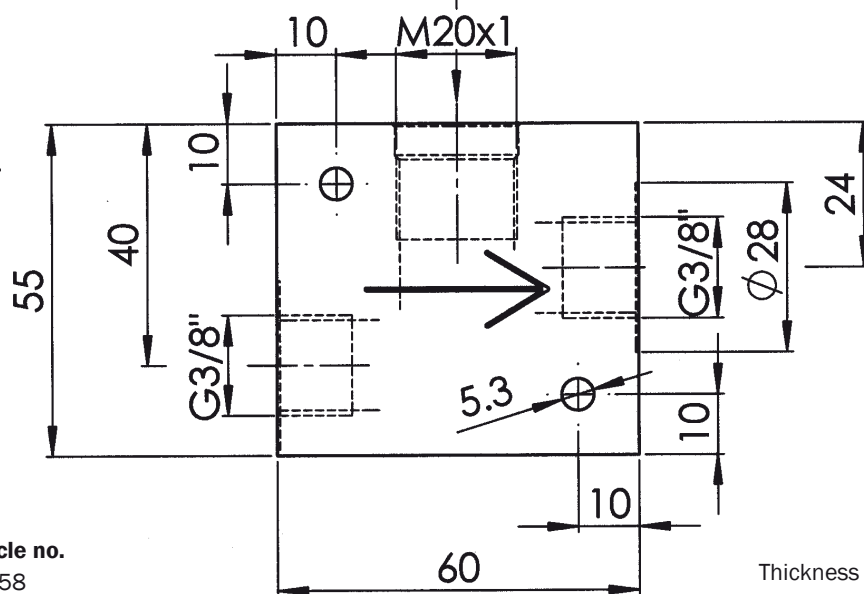
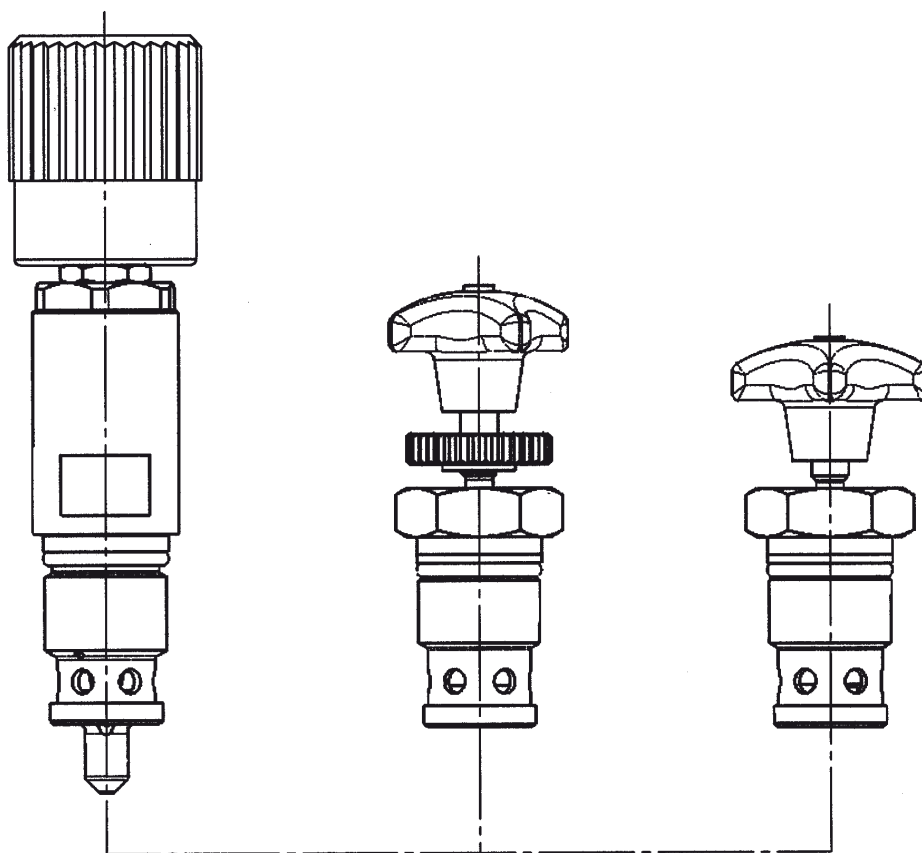
DV700-6-E-350-  
DV700-6-E-700-

**Throttle valves**

SD700-6-E-25-P-  
SD700-6-E-25-V-

**Shut-off valves**

AV700-6-E-25-P-  
AV700-6-E-25-V-



Article no.  
60758

Thickness 30mm

As we are constantly improving our products, Bieri reserves the right to make changes to the technical specification without prior notice.

**Bieri Hydraulik AG**  
Könizstrasse 274  
CH-3097 Liebefeld/Switzerland  
Tel. +41 31 970 09 09  
Fax +41 31 970 09 10  
sales@bierihydraulics.com

**BIERI**  
HYDAC INTERNATIONAL