

Oil level switch

Type FS

Temperature up to 90° C
Length up to 1200 mm



Features

- Guaranteed potential free switching
- Can be dismantled without removing the tank cap
- Suitable with many different fluids
- Very good price/performance ratio

Design

- Smallest dimensions
- Direct mounting on tank lid with a thread

Applications

- Level and temperature control in the tank

Technical data

Thread size	M20 x 1,5 mm
Mounting position	Vertical ± 10°
Instrument plug	DIN 43650
Degree of protection	IP 65
Switching voltage	Level: max. 230 VAC/230 VDC Temperature: max. 250 VAC/250 VDC
Switching current	Level: max. 0,8 A/0,8 A ind. Temperature: max. 2,5 A/1,6 A ind. Temperature: max. 50 mA
Switching capacity (level)	Max. 20 W/26 VA
Temperature hysteresis	Max. 25 °C
Temperature accuracy	± 10%
Temperature switching point	Normally closed: + 55/60/70/80/90 °C Normally open: + 60/70/80/90 °C
Contact functions	Normally closed or normally open
Medium	Mineral oil

Type FS

Temperature up to 90 ° C
Length up to 1200 mm

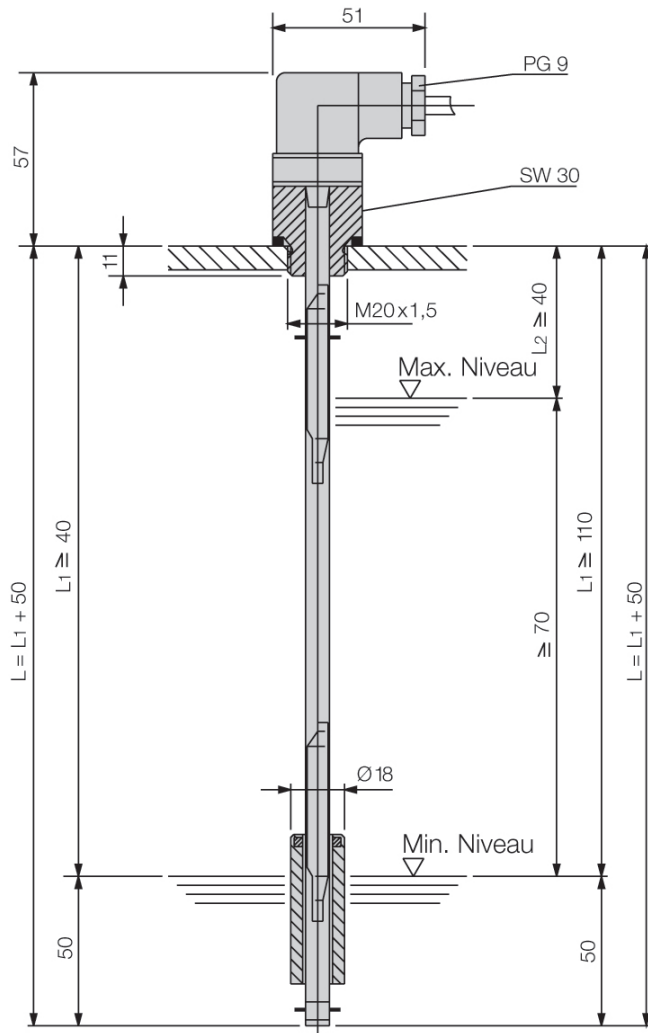
Product information

Contact function	Level	Temperature switching point [° C]	Weight ca. [kg]	Art.-No.
Normally open	Minimum	-	0,20	34200
Normally open	Minimum	60, 70, 80, 90	0,20	34202
Normally open	Maximum + Minimum	-	0,20	34204
Normally open	Maximum + Minimum	60, 70, 80, 90	0,20	34206
Normally closed	Minimum	-	0,20	34201
Normally closed	Minimum	55, 60, 70, 80, 90	0,20	34203
Normally closed	Maximum + Minimum	-	0,20	34205
Normally closed	Maximum + Minimum	55, 60, 70, 80, 90	0,20	34207
Normally open/closed	Minimum	55, 60, 70, 80, 90	0,20	34209
Normally closed/open	Maximum + Minimum	-	0,20	34208

Hydraulic schematics

Art.-No.	34200	34202	34204	34206	34201	34203	34205	34207	34209	34208
Oil level OK										
Oil level to deep										
Oil level to high	-	-			-	-			-	

Dimensional drawing



Type FS

Temperature up to 90 ° C
Length up to 1200 mm

Notes for ordering:

The following data has to be indicated on the order:

Art.-No. 34200 and 34201

L1 (min. level): ≥ 40 mm

Art.-No. 34204, 34205 and 34208

L1 (min. level): ≥ 110 mm

L2 (max. level): ≥ 40 mm

The distance between L1 and L2 has to be 70 mm at least!

Art.-No. 34202, 34203 and 34209

L1 (min. level): ≥ 40 mm

Temp. switching point: 55 (only for 34203/34209),
60, 70, 80 or 90

Art.-No. 34206 and 34207

L1 (min. level): ≥ 110 mm

L2 (max. level): ≥ 40 mm

Temp. switching point: 55 (only for 34207), 60, 70,
80 or 90

The distance between L1 and L2 has to be 70 mm at least!

Bieri Hydraulik AG

Könizstrasse 274
CH-3097 Liebefeld
Tel. +41 31 970 09 09 | Fax +41 31 970 09 10
info@bierihydraulics.com | www.bierihydraulics.com

The information in this brochure relates to the operating conditions and applications described.

For applications and operating conditions not described, please contact the relevant technical department.

Subject to technical modifications.